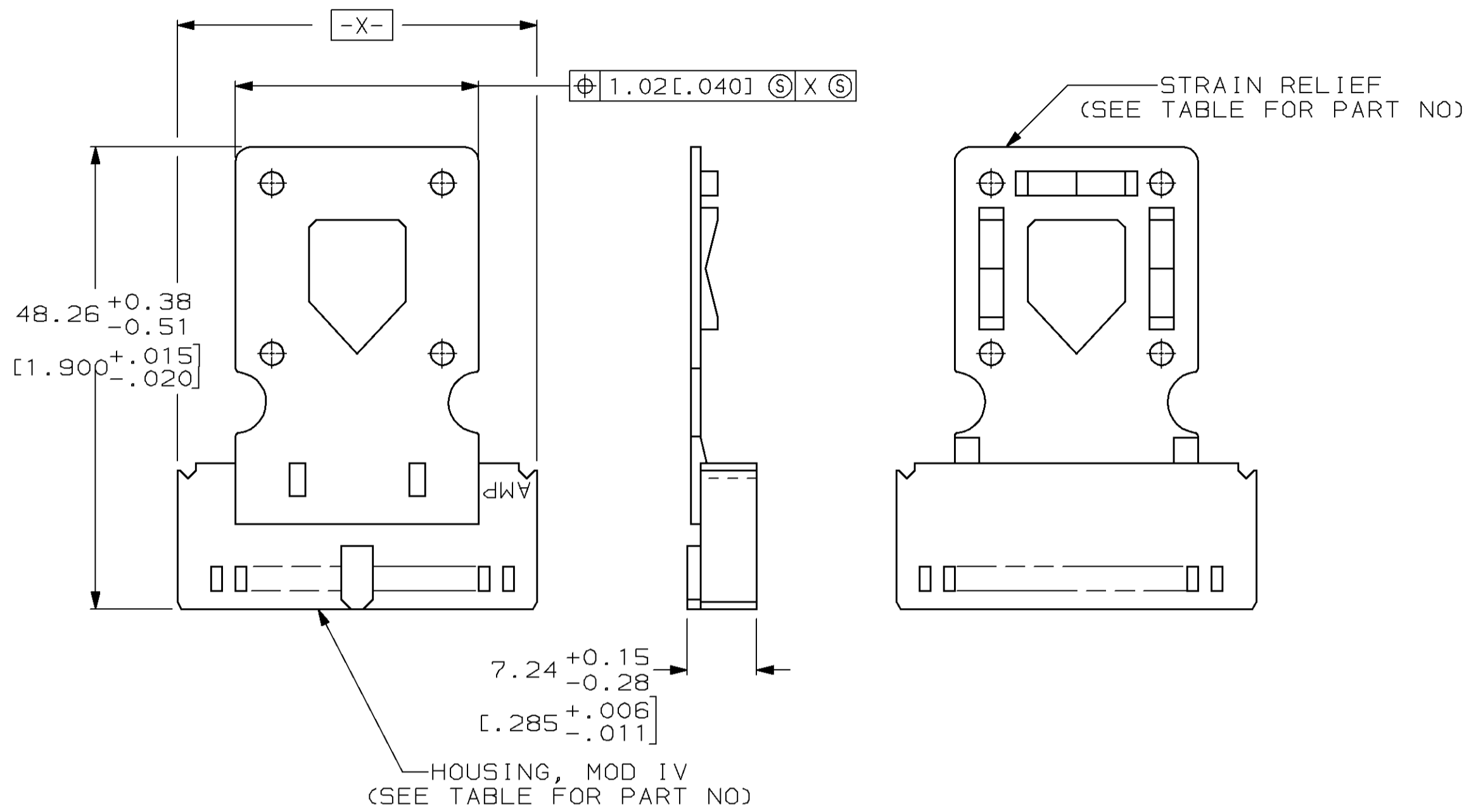


Loc	DIST	P	F	REVISIONS				
				ZONE	LTR	DESCRIPTION	DATE	APPD
AD	39			0		RELEASED	-	-
				A		REV PER 0310-0098-97	3-13-97	JS



1 THE STRAIN RELIEF IS ULTRASONICALLY BONDED TO THE HOUSING

87710-1	102387-5	24	104810-1
STRAIN RELIEF PART NUMBER	HOUSING PART NUMBER	NO OF POSN	ASSEMBLY PART NUMBER

DO NOT SCALE PRINT. UNLESS SPECIFIED DIMENSIONS IN mm [INCHES] TOLERANCES ON : 2 PLC DEC ±0.13[.005] 3 PLC DEC ± - ANGLES ± -		DR 8-29-91 S. SHUEY	AMP Incorporated Harrisburg, PA 17105-3608	
MATERIAL HSG & STRN RLF FLAME RETARDANT THERMOPLASTIC COLOR - BLACK	FINISH -	CHK - APPD - APPD - PRODUCT SPEC 108-25020		
		APPLICATION SPEC 114-25003	SIZE C	CAGE CODE 00779
		WEIGHT -	SCALE 2:1	DRAWING NO 104810
				SHEET 1 OF 1

